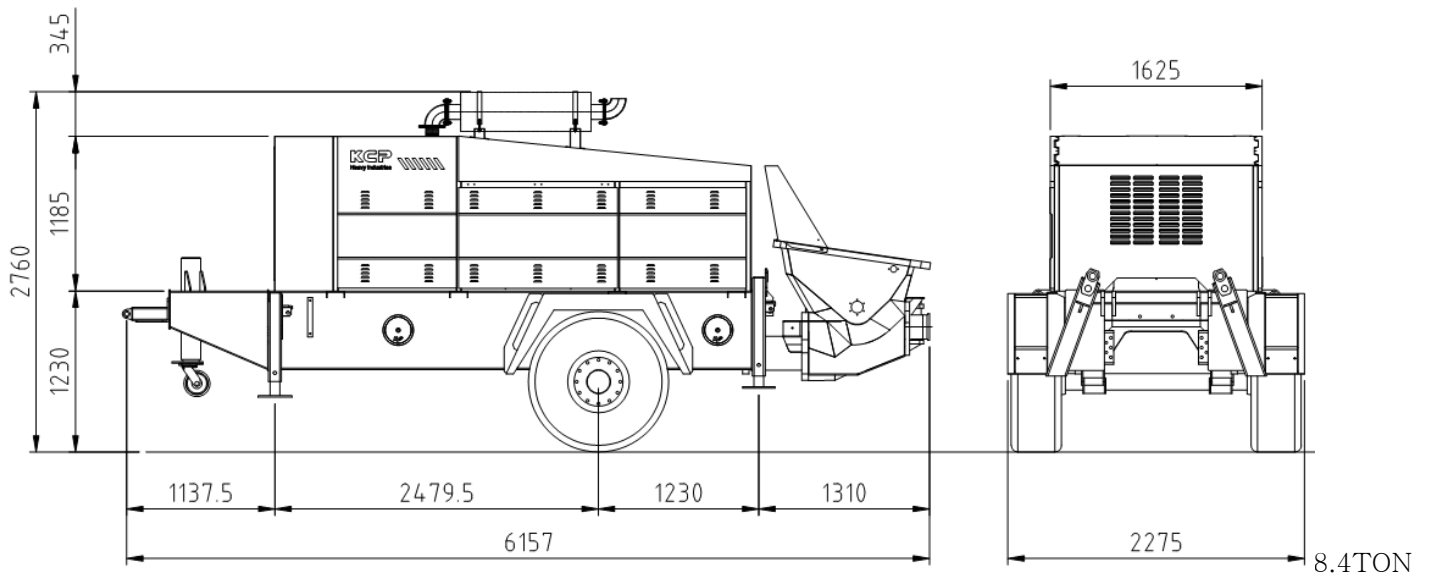


KTP1714



■ Pump specifications		■ Performance diagram	
Engine	CAT C13(416ps/2100rpm), EU STAGE IV		
Engine rpm	1950 rpm		
Maximum output	96 m³/h(high), 142 m³/h(low)		
Main cylinder	Ø140/ Ø80×1800ST		
Concrete cylinder	Ø200×1800ST		
Cycling system	Hydraulic with manual overrides		
Stroke per minute	28(High), 42(Low)		
Concrete pressure	172 bar(High), 116 bar(Low)		
Hopper capacity	0.6 m³		
S-tube	Ø200×Ø180		
Hydraulic pump	Kawasaki 200DT / Rexroth A20V190DT		
Max. aggregate size	40 mm		
Vertical distance	245 M (slump 8 cm)		
Horizontal distance	430 M (slump 8 cm)		

© Maximum theoretical values listed.

© Photos and drawings are for illustrative purpose only

© Dimension will vary with different truck makers, models and specifications

© Right to make technical amendments reserved