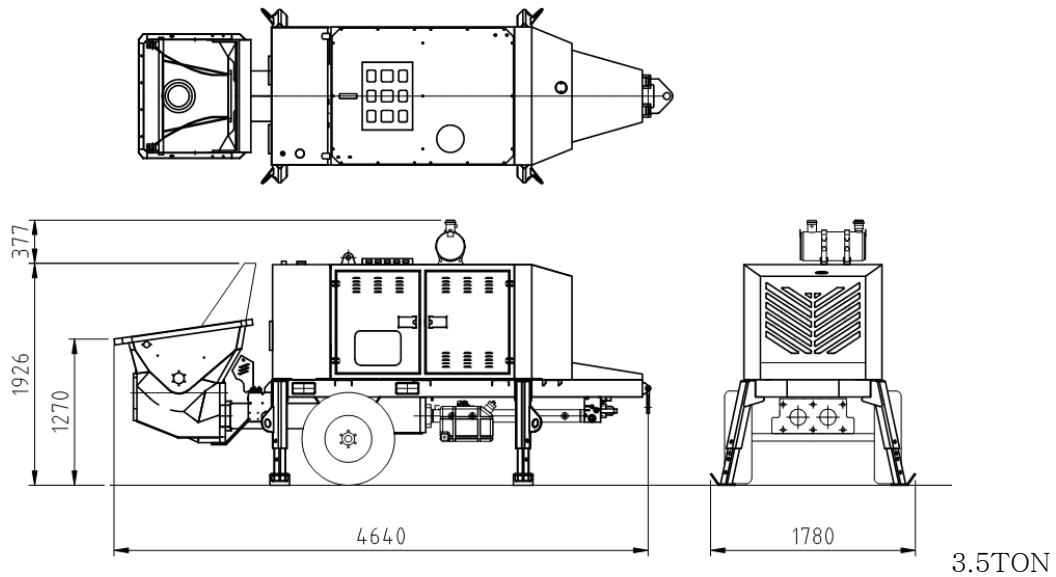


KTP0706



<input type="checkbox"/> Pump specifications		<input type="checkbox"/> Performance diagram	
Engine	CAT – C3.4B(100PS/2200RPM),EU Stage IV		
Engine rpm	1900 rpm		
Maximum output	62 m ³ /h		
Main cylinder	Ø90/ Ø55×1100ST		
Concrete cylinder	Ø200×1100ST		
Cycling system	Hydraulic with manual overrides		
Stroke per minute	30		
Concrete pressure	70 bar		
Hopper capacity	0.4 m ³		
S-tube	Ø180×Ø120		
Hydraulic pump	Kawasaki 112S / Rexroth A11V125S		
Max. aggregate size	40 mm		
Vertical distance	100 M (slump 8 cm)		
Horizontal distance	175 M (slump 8 cm)		

© Maximum theoretical values listed.

© Photos and drawings are for illustrative purpose only

© Dimension will vary with different truck makers, models and specifications

© Right to make technical amendments reserved