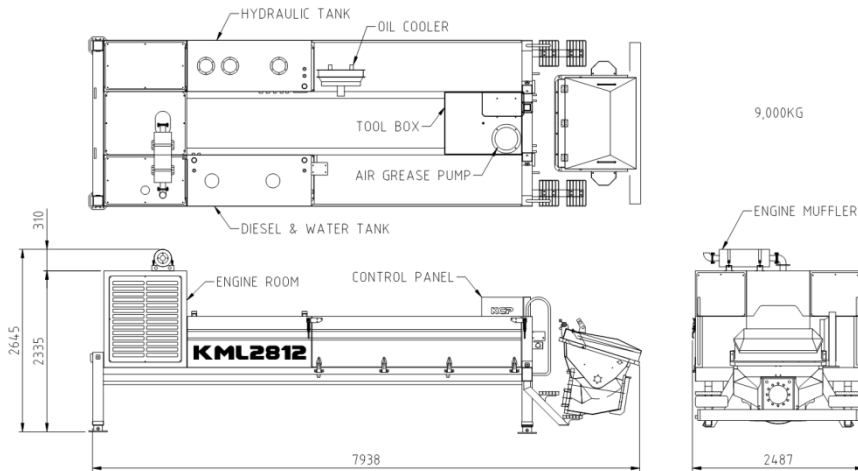
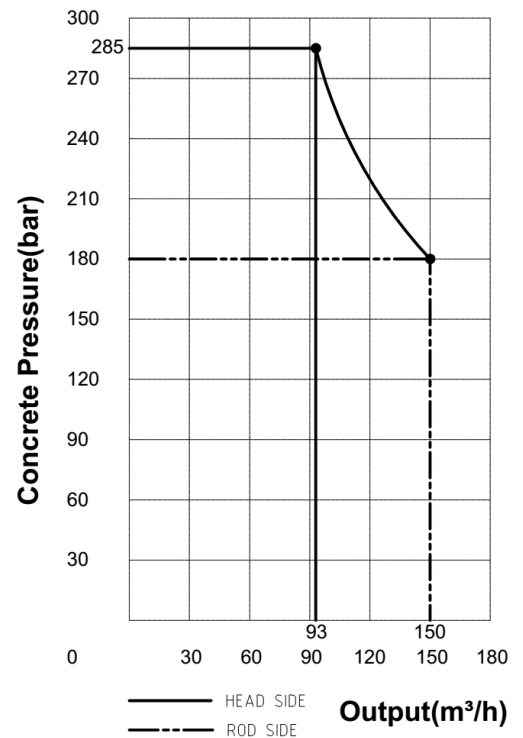


KML2812



■ Pump specifications		■ Performance diagram
Engine	TRUCK	SUB
	-	CAT-C7.1 225PS
Hydraulic pump	Rexroth A20VO260	Rexroth A11VO260
Main cylinder	Ø180/ Ø130×2100ST	
Concrete cylinder	Ø200×2100ST	
Cycling system	Hydraulic with manual overrides	
Stroke per minute	32	
Concrete pressure	285(High), 180(Low) bar	
Hopper capacity	0.6 m ³	
S-tube	Ø200×Ø150	
Maximum output	93(High), 150(Low) m ³ /h	
Max. aggregate size	40 mm	
Hydraulic tank volumn	1000 L	
Diesel tank volumn	470 L	
Vertical distance	400 M	
Horizontal distance	710 M	
Outrigger	Hydraulic vertical ext.	



© Maximum theoretical values listed.

- © Photos and drawings are for illustrative purpose only
- © Dimension will vary with different truck makers, models and specifications
- © Right to make technical amendments reserved