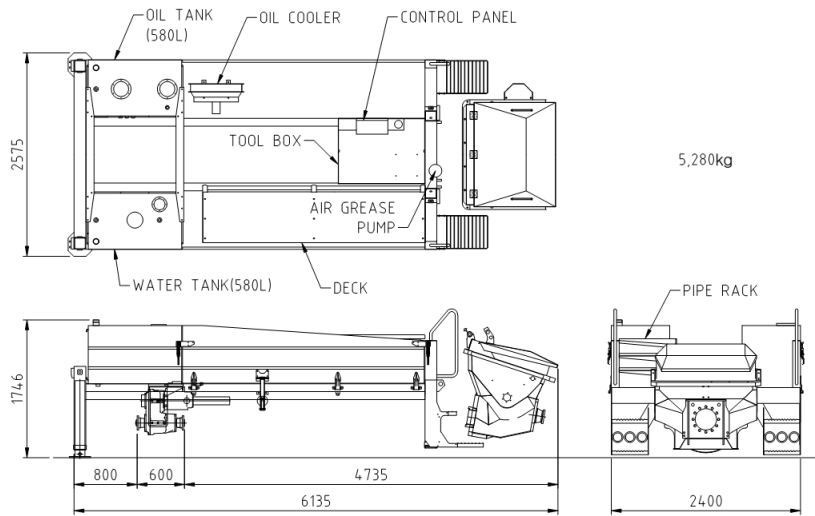


KML1714



■ Pump specifications		■ Performance diagram	
Engine RPM	1850 rpm		
Maximum output	113(High), 168(Low) m³/h		
Main cylinder	Ø140/ Ø80×1800ST		
Concrete cylinder	Ø200×1800ST		
Cycling system	Hydraulic with manual overrides		
Stroke per minute	33(High), 49(Low)		
Concrete pressure	172(High), 116(Low) bar		
Hopper capacity	0.6 m³		
S-tube	Ø200×Ø180		
Hydraulic pump	Rexroth 190DT		
Max. aggregate size	40 mm		
Vertical distance	240M(High), 165(Low) M		
Horizontal distance	420(High), 285(Low) M		
Outrigger	Hydraulic vertical ext.		

© Maximum theoretical values listed.

- © Photos and drawings are for illustrative purpose only
- © Dimension will vary with different truck makers, models and specifications
- © Right to make technical amendments reserved