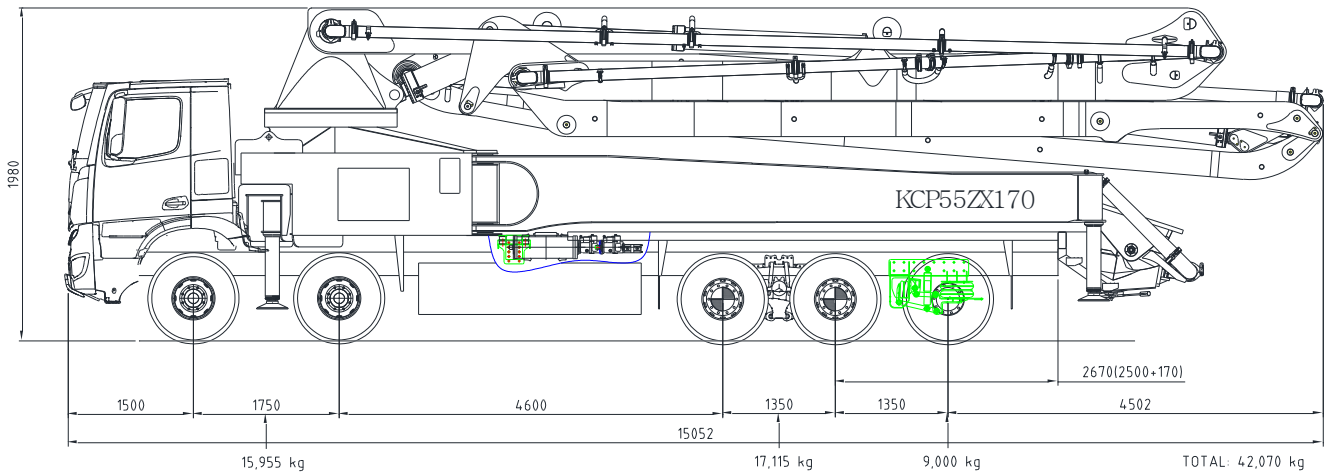


KCP55ZX170

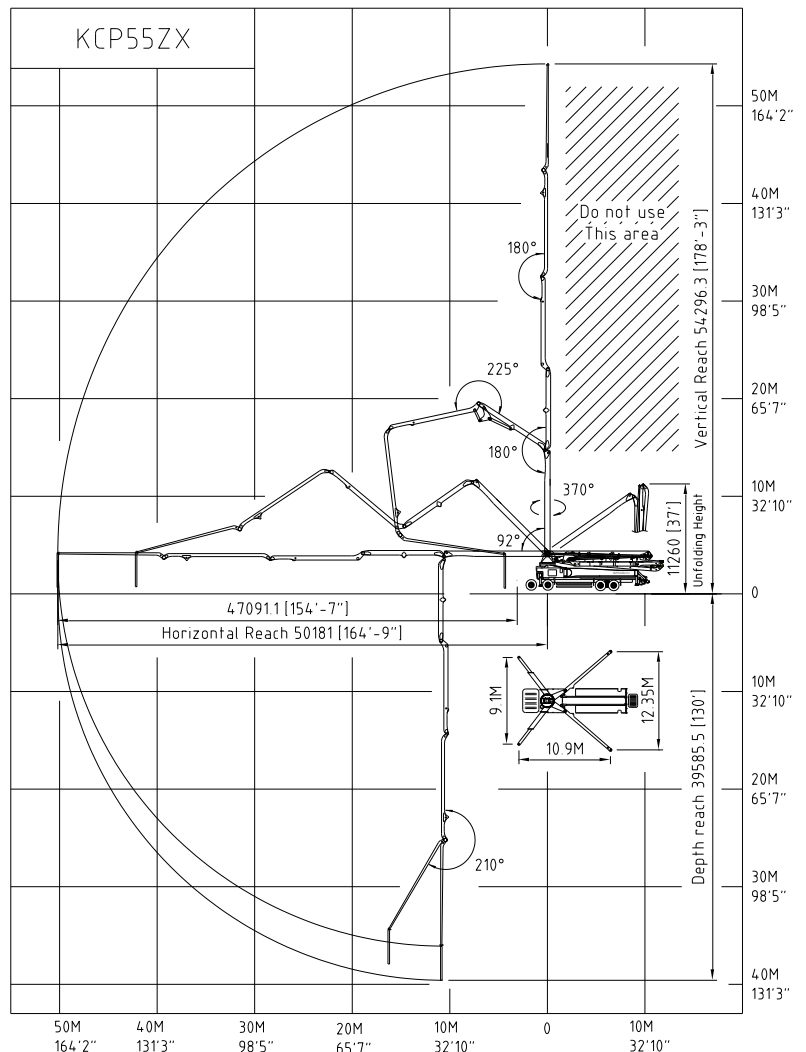


▣ Boom specifications

Vertical reach	54.3M
Horizontal reach	50.2M
Reach from front of truck	47.1 M
Unfolding height	11.3M
Section articulation	92°/180°/225°/180°/210°
Rotation	370°
Delivery line	125 mm
Proportional boom	Yes
End hose length	3.5M
Outrigger spread-front	9.1 M
Outrigger spread-rear	12.4 M
Max.outrigger weight	40,000kg

- ⊙ Truck specifications : Mercedes Benz 5051 (510PS, EURO6)
- ⊙ Maximum theoretical values listed.
- ⊙ Photos and drawings are for illustrative purpose only
- ⊙ Right to make technical amendments reserved

▣ Working diagram



▣ Pump specifications

Maximum output	170 m³/h
Concrete cylinder	Ø230×2100
Stroke per minute	33
Concrete pressure	87 bar
Hopper capacity	0.6 m³
S-tube	Ø200×Ø180
Hydraulic pump	Rexroth – A20VLO190
Cycling system	Hydraulic with manual overrides
Max. aggregate size	40 mm