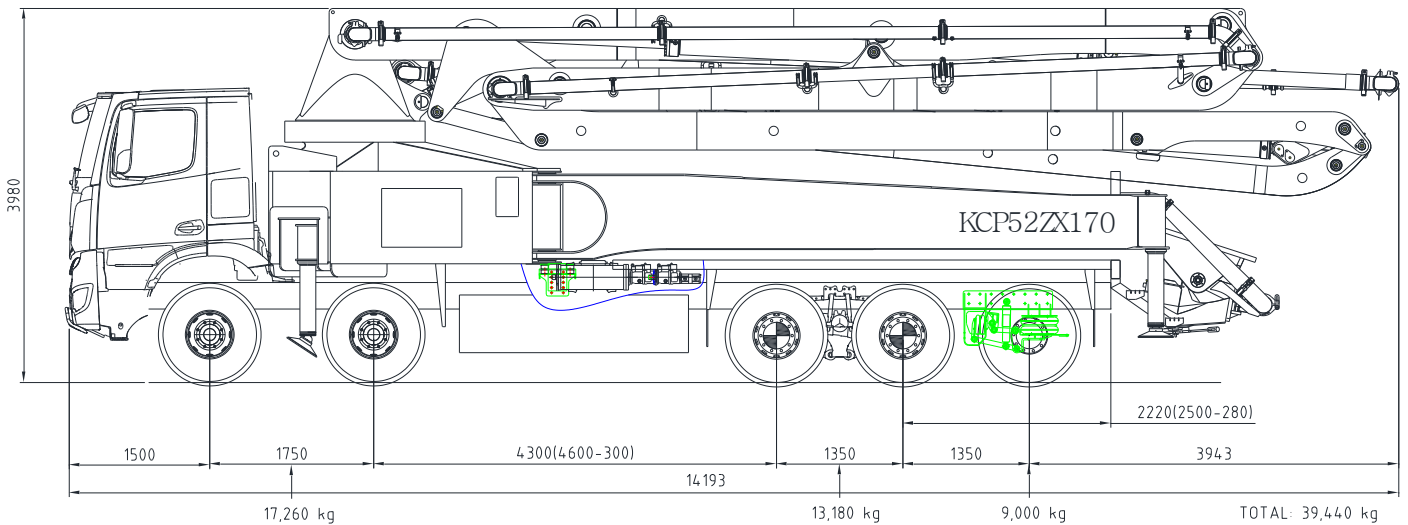


KCP52ZX170

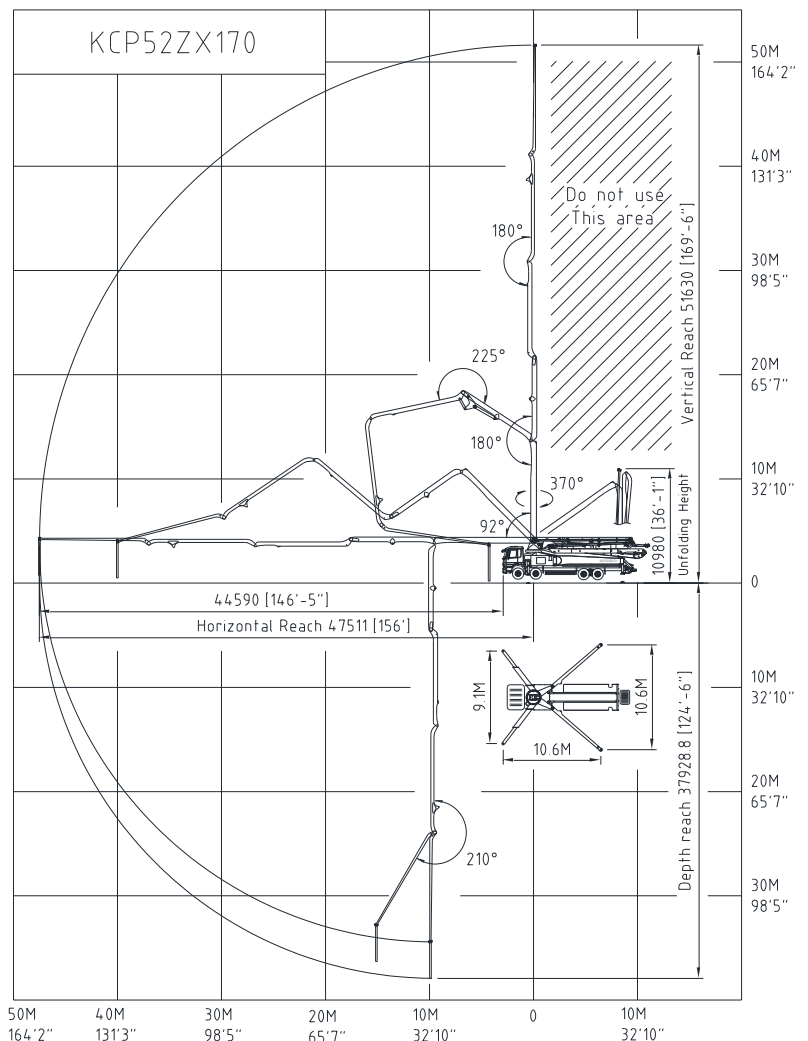


Boom specifications

Vertical reach	51.6M
Horizontal reach	47.5M
Reach from front of truck	44.6M
Unfolding height	11 M
Section articulation	92°/180°/225°/180°/210°
Rotation	370°
Delivery line	125 mm
Proportional boom	Yes
End hose length	3.5M
Outrigger spread-front	9.1 M
Outrigger spread-rear	10.6 M
Max.outrigger weight	38,000kg

- ⊙ Truck specifications : Mercedes Benz 5051 (510PS, EURO6)
- ⊙ Maximum theoretical values listed.
- ⊙ Photos and drawings are for illustrative purpose only
- ⊙ Right to make technical amendments reserved

Working diagram



Pump specifications

Maximum output	170 m³/h
Concrete cylinder	Ø230×2100
Stroke per minute	33
Concrete pressure	87 bar
Hopper capacity	0.6 m³
S-tube	Ø200×Ø180
Hydraulic pump	Rexroth – A20VLO190
Cycling system	Hydraulic with manual overrides
Max. aggregate size	40 mm