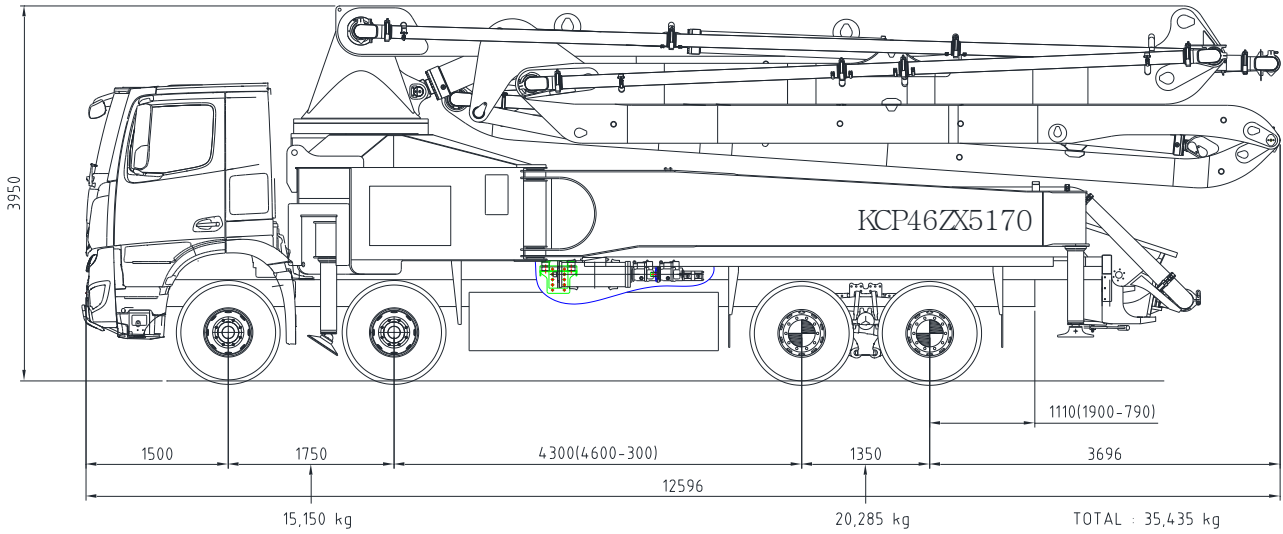


KCP46ZX5170

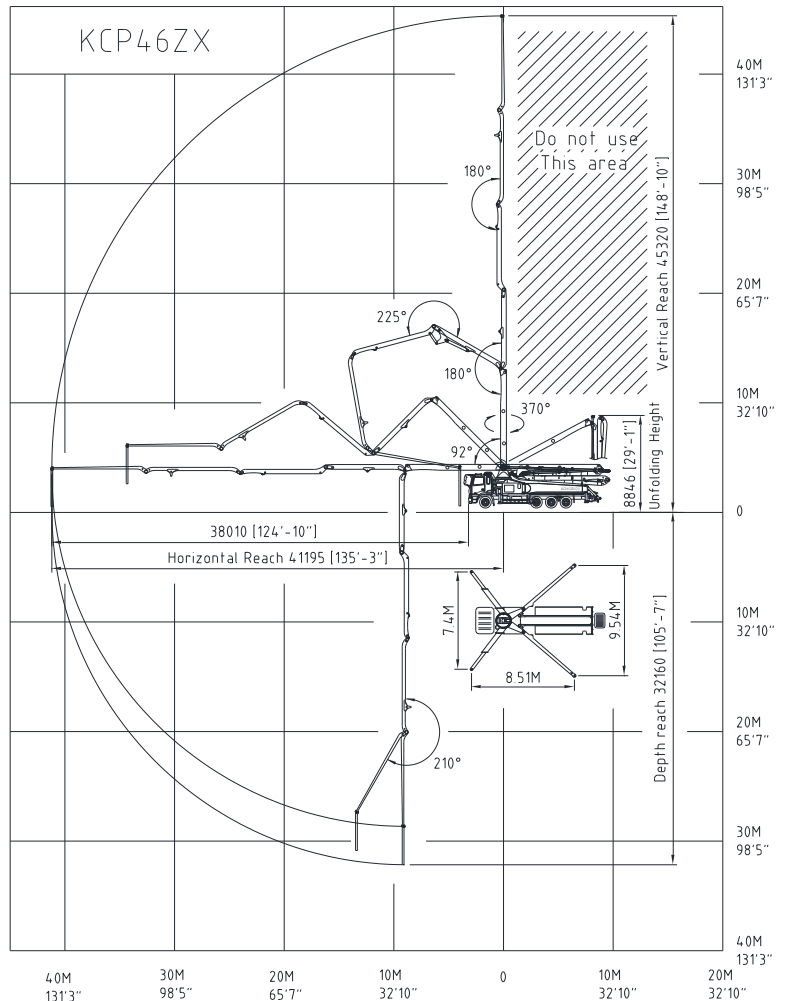


▣ Boom specifications

Vertical reach	45.3M
Horizontal reach	41.2M
Reach from front of truck	38M
Unfolding height	8.8M
Section articulation	92°/180°/225°/180°/210°
Rotation	370°
Delivery line	125 mm
Proportional boom	Yes
End hose length	3.5M
Outrigger spread-front	7.4 M
Outrigger spread-rear	9.5 M
Max.outrigger weight	29,000kg

- ◎ Truck specifications : BENZ AROCS 4148_E6
- ◎ Maximum theoretical values listed.
- ◎ Photos and drawings are for illustrative purpose only
- ◎ Right to make technical amendments reserved

▣ Working diagram



▣ Pump specifications

Maximum output	170 m³/h
Concrete cylinder	Ø230×2100
Stroke per minute	33
Concrete pressure	87 bar
Hopper capacity	0.6 m³
S-tube	Ø200×Ø180
Hydraulic pump	Rexroth A20VLO190
Cycling system	Hydraulic with manual overrides
Max. aggregate size	40 mm