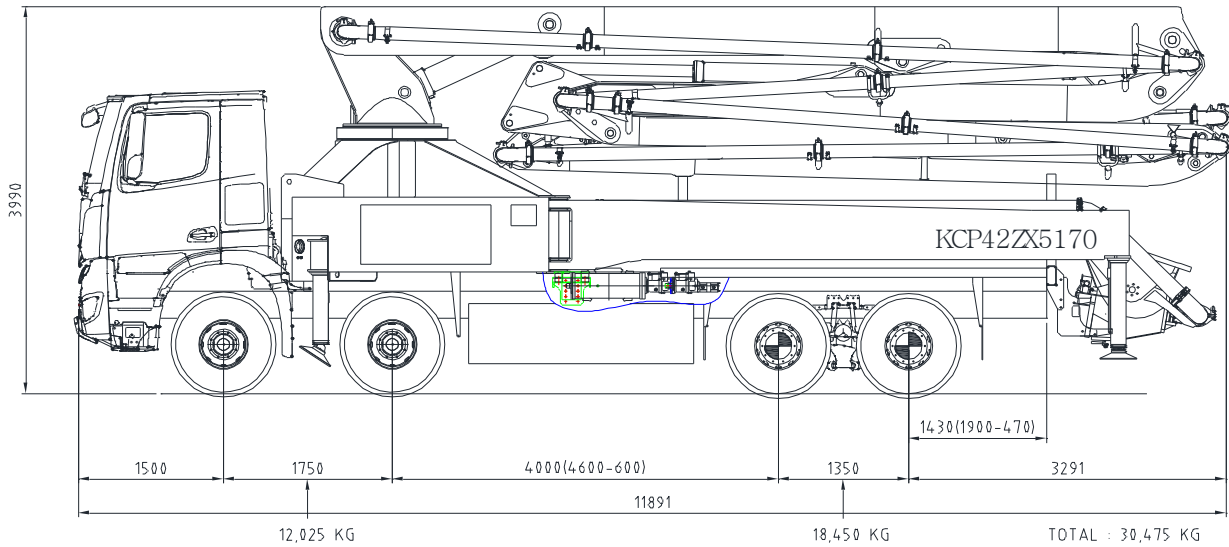


KCP42ZX5170

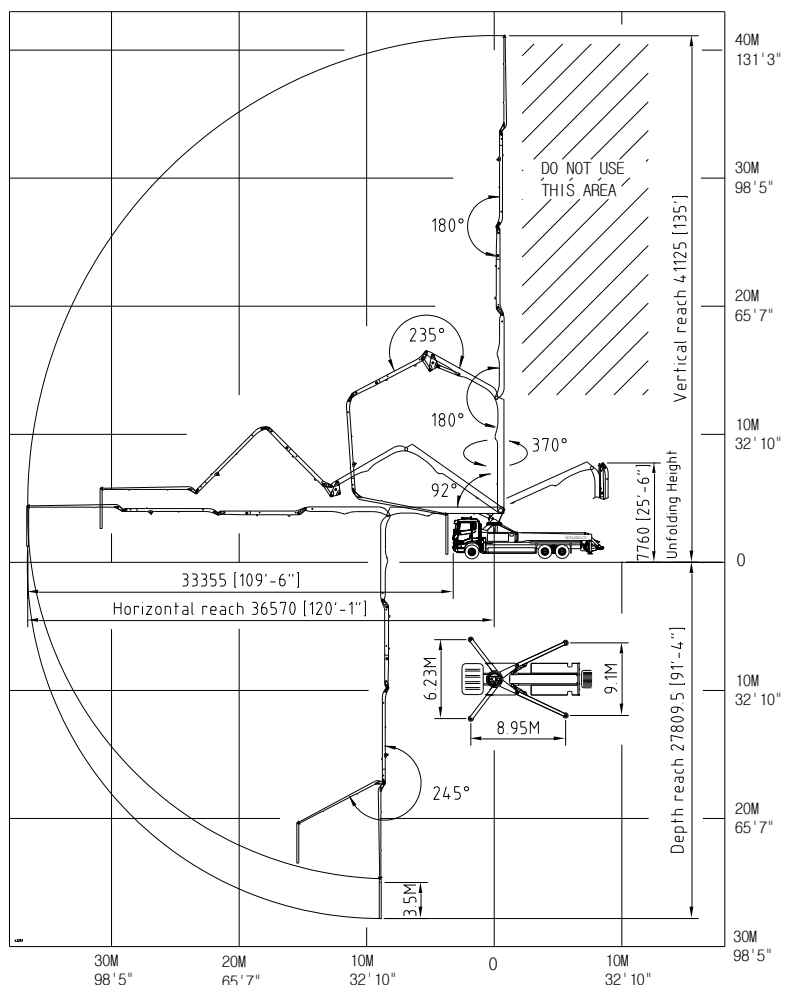


▣ Boom specifications

Vertical reach	41.1 M
Horizontal reach	36.6 M
Reach from front of truck	33.3 M
Unfolding height	7.76 M
Section articulation	92°/180°/235°/180°/245°
Rotation	370°
Delivery line	125 mm
Proportional boom	Yes
End hose length	3.5 M
Outrigger spread-front	6.23 M
Outrigger spread-rear	9.1 M
Max. outrigger weight	26,000kg

- ⊙ Truck specifications : BENZ AROCS 4148_E6
- ⊙ Maximum theoretical values listed.
- ⊙ Photos and drawings are for illustrative purpose only
- ⊙ Right to make technical amendments reserved

▣ Working diagram



▣ Pump specifications

Maximum output	170 m³/h
Concrete cylinder	Ø230×2100
Stroke per minute	33
Concrete pressure	87 bar
Hopper capacity	0.6 m³
S-tube	Ø200×Ø180
Hydraulic pump	Rexroth A20VLO190
Cycling system	Hydraulic with manual overrides
Max. aggregate size	40 mm