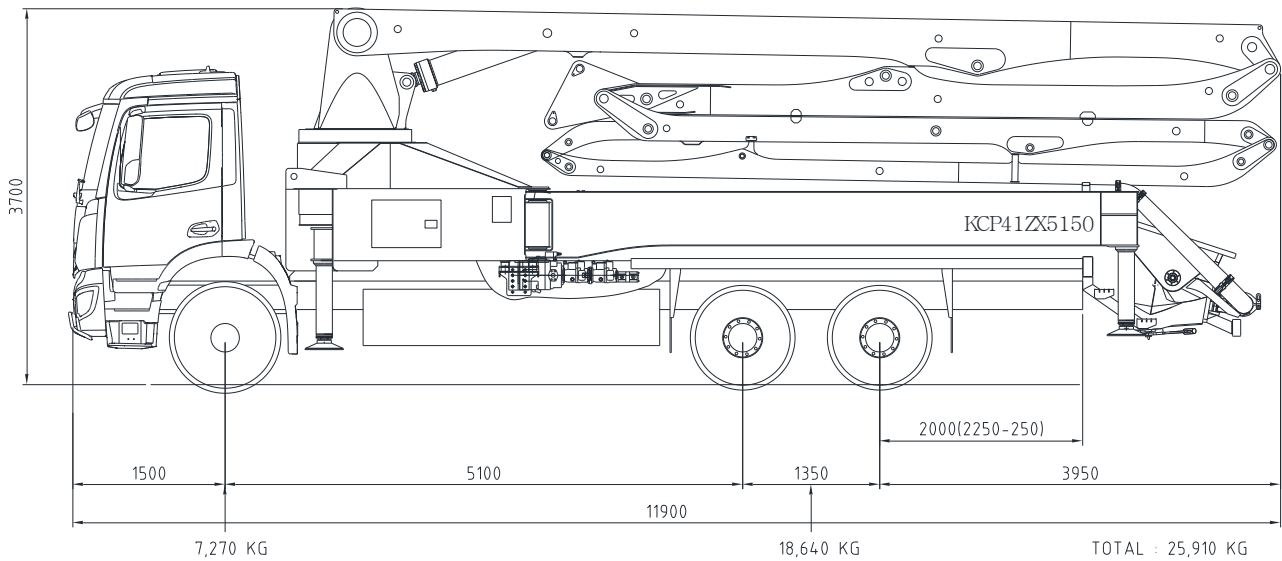


KCP41ZX5150



Boom specifications

Vertical reach	40.1 M
Horizontal reach	36.3 M
Reach from front of truck	33.2 M
Unfolding height	8 M
Section articulation	92°/186°/230°/180°/245°
Rotation	370°
Delivery line	125 mm
Proportional boom	Yes
End hose length	3.5M
Outrigger spread-front	6.1 M
Outrigger spread-rear	9.1 M
Max. outrigger weight	25,000kg

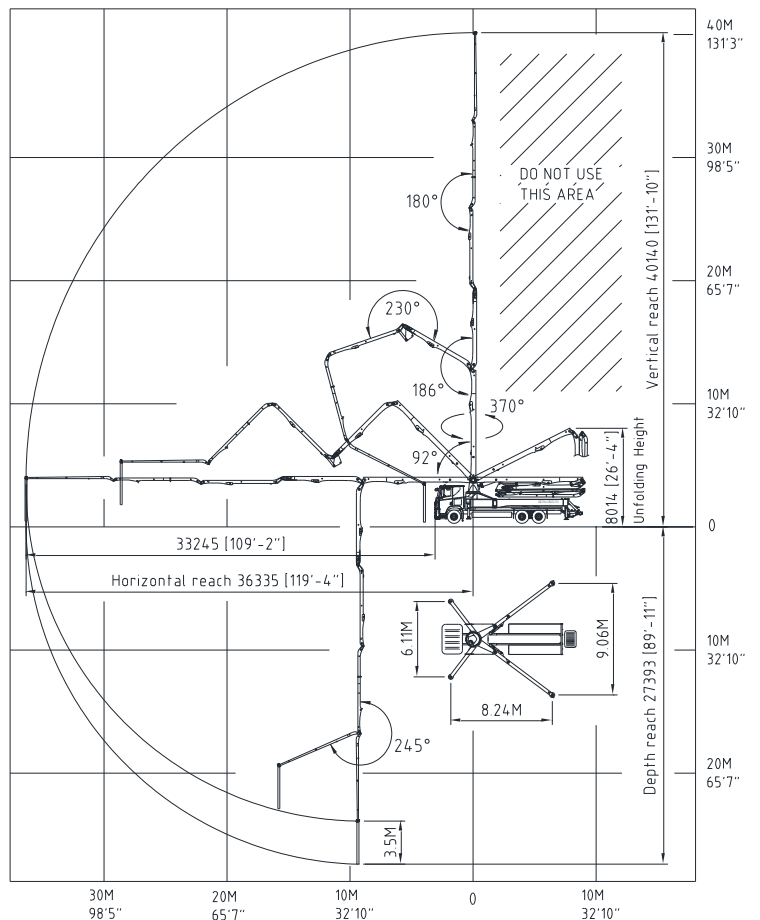
⊙ Truck specifications : BENZ Arocs 2640 (394PS, EURO6)

⊙ Maximum theoretical values listed.

⊙ Photos and drawings are for illustrative purpose only

⊙ Right to make technical amendments reserved

Working diagram



Pump specifications

Maximum output	150 m³/h
Concrete cylinder	Ø230×2100
Stroke per minute	30
Concrete pressure	69 bar
Hopper capacity	0.6 m³
S-tube	Ø200×Ø180
Hydraulic pump	Rexroth – A11VLO260
Cycling system	Hydraulic with manual overrides
Max. aggregate size	40 mm