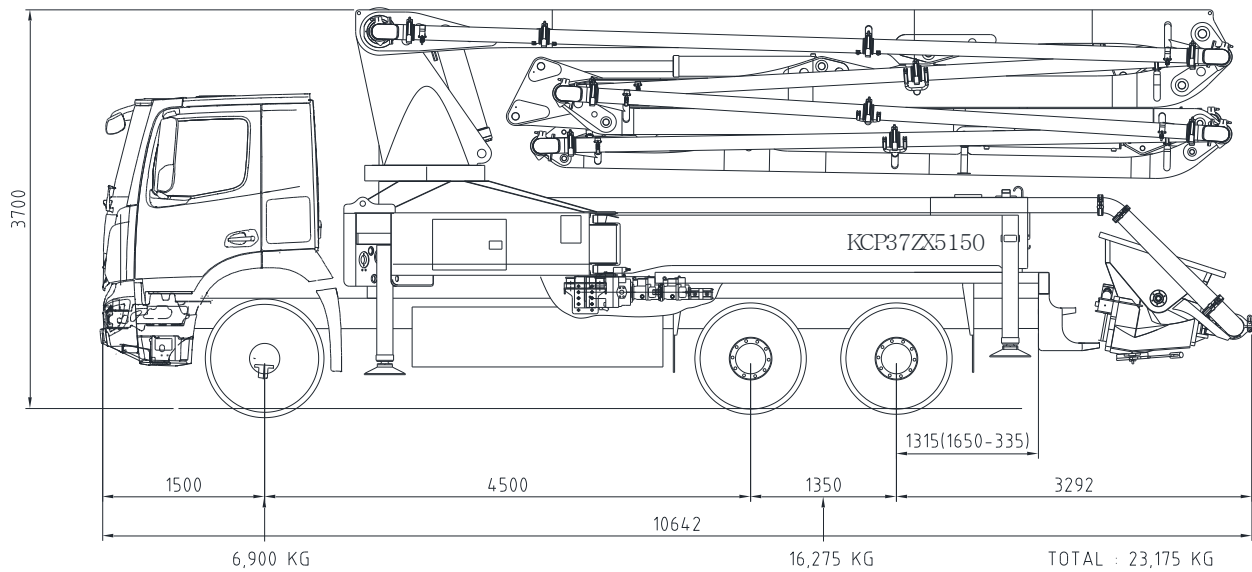


## KCP37ZX5150

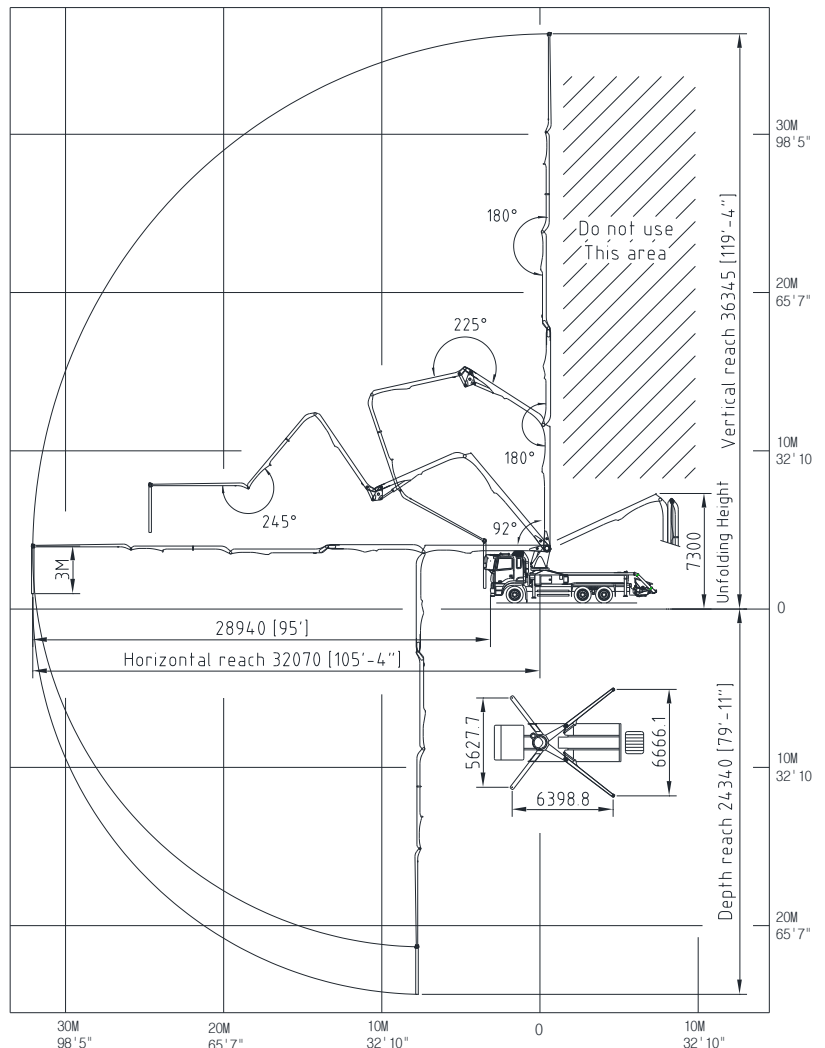


### ▣ Boom specifications

Vertical reach	36.3M
Horizontal reach	32.1 M
Reach from front of truck	28.9 M
Unfolding height	7.3 M
Section articulation	92°/180°/225°/180°/245°
Rotation	370°
Delivery line	125 mm
Proportional boom	Yes
End hose length	3M
Outrigger spread-front	5.6 M
Outrigger spread-rear	6.7 M
Max. outrigger weight	17,500kg

- ⊙ Truck specifications : BENZ Arocs 2640 ( 394PS, EURO6 )
- ⊙ Maximum theoretical values listed.
- ⊙ Photos and drawings are for illustrative purpose only
- ⊙ Right to make technical amendments reserved

### ▣ Working diagram



### ▣ Pump specifications

Maximum output	150 m³/h
Concrete cylinder	Ø230×1800
Stroke per minute	34
Concrete pressure	63 bar
Hopper capacity	0.6 m³
S-tube	Ø200×Ø180
Hydraulic pump	Rexroth A11VLO260
Cycling system	Hydraulic with manual overrides
Max. aggregate size	40 mm