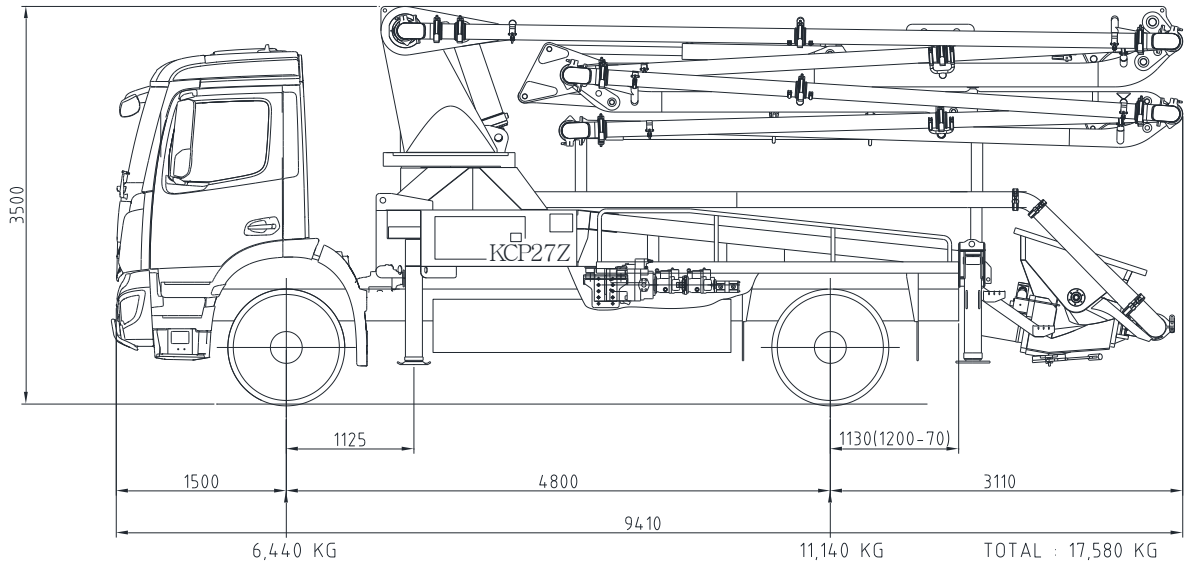


KCP27ZX120

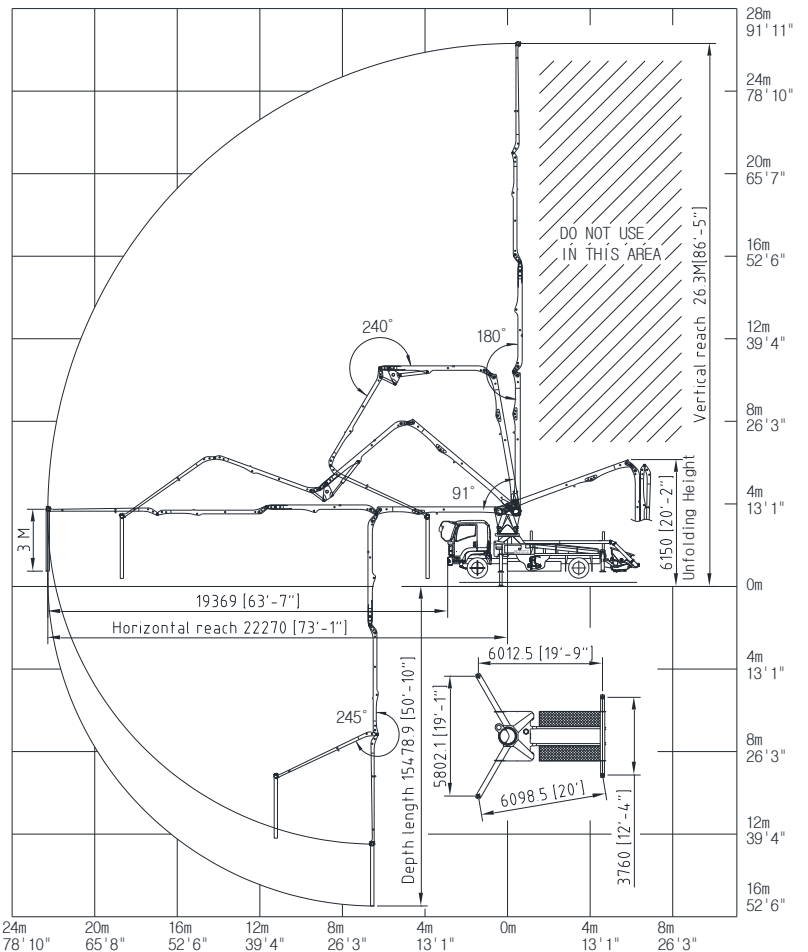


▣ Boom specifications

Vertical reach	26.3M
Horizontal reach	22.3M
Reach from front of truck	19.4M
Unfolding height	6.2 M
Section articulation	91°/180°/240°/245°
Rotation	370°
Delivery line	125 mm
Proportional boom	Yes
End hose length	3M
Outrigger spread-front	5.8 M
Outrigger spread-rear	3.8 M
Max. outrigger weight	13,500kg

- ⊙ Truck specifications : Mercedes AROCS 1833 (326PS, EURO6)
- ⊙ Maximum theoretical values listed.
- ⊙ Photos and drawings are for illustrative purpose only
- ⊙ Right to make technical amendments reserved

▣ Working diagram



▣ Pump specifications

Maximum output	120 m³/h
Concrete cylinder	Ø230×1400mm
Stroke per minute	30
Concrete pressure	69 bar
Hopper capacity	0.6 m³
S-tube	Ø200×Ø180
Hydraulic pump	Rexroth – A11VLO190
Cycling system	Hydraulic with manual overrides
Max. aggregate size	40 mm