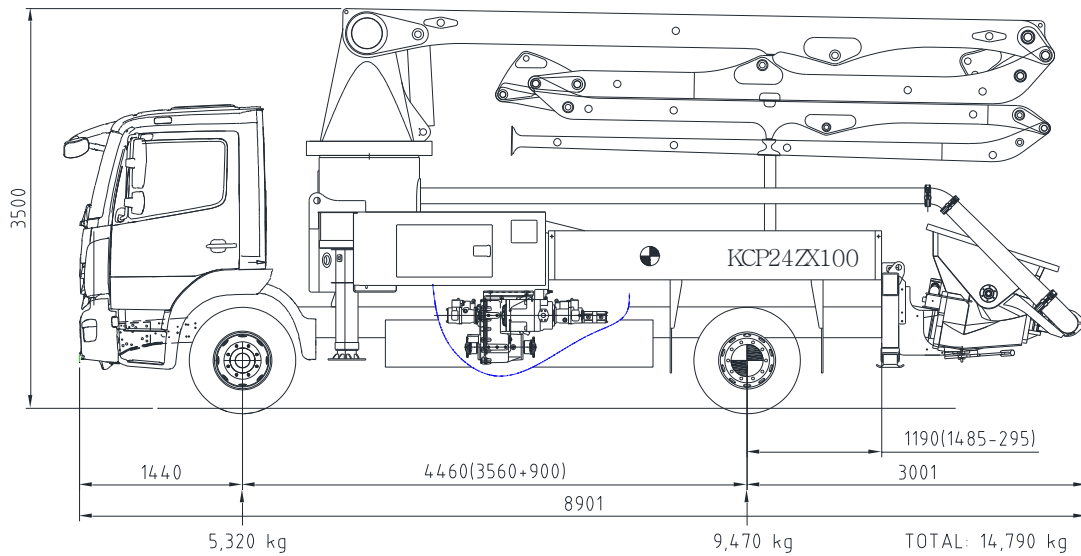


KCP24ZX120

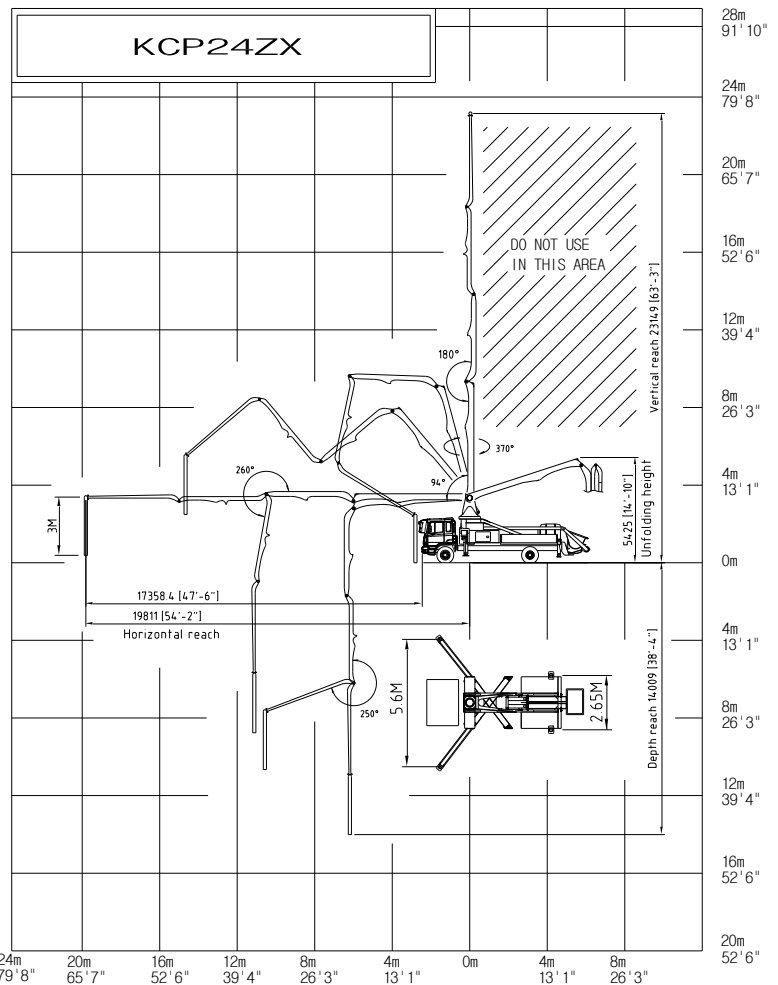


▣ Boom specifications

Vertical reach	23.2M
Horizontal reach	19.8M
Reach from front of truck	17.3M
Unfolding height	5.4 M
Section articulation	94°/180°/260°/250°
Rotation	370°
Delivery line	125 mm
Proportional boom	Yes
End hose length	3M
Outrigger spread-front	5.6 M
Outrigger spread-rear	2.7 M
Max.outrigger weight	11,000kg

- ⊙ Truck specifications : Mercedes Benz Atego 1630
- ⊙ Maximum theoretical values listed.
- ⊙ Photos and drawings are for illustrative purpose only
- ⊙ Right to make technical amendments reserved

▣ Working diagram



▣ Pump specifications

Maximum output	120 m³/h
Concrete cylinder	Ø230×1400
Stroke per minute	30
Concrete pressure	69 bar
Hopper capacity	0.6 m³
S-tube	Ø200×Ø180
Hydraulic pump	Rexroth – A11VLO190
Cycling system	Hydraulic with manual overrides
Max. aggregate size	40 mm