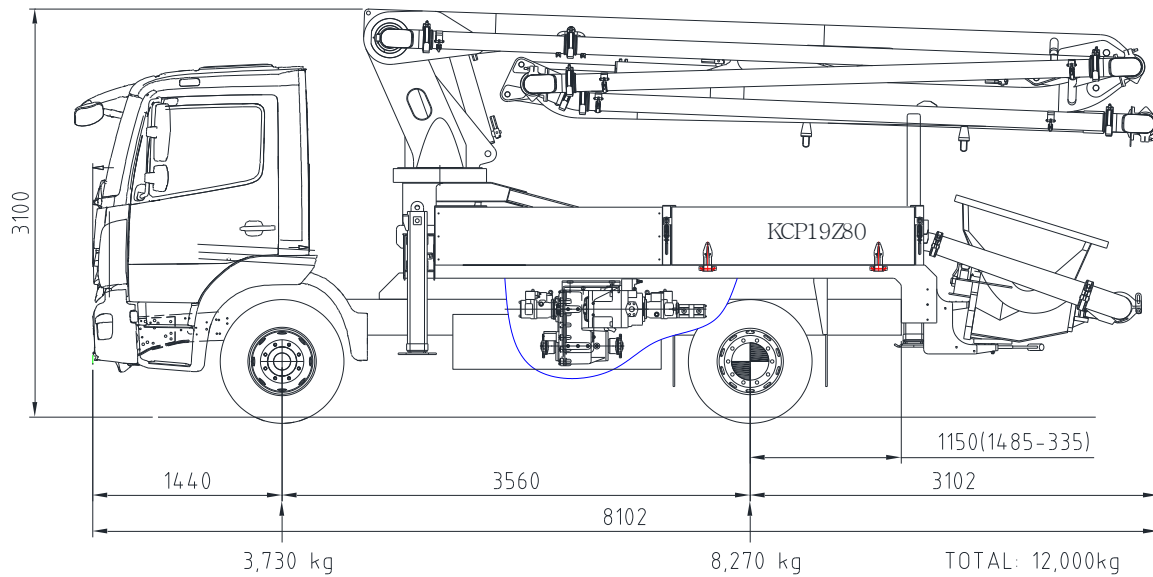


KCP19Z80



▣ Boom specifications

Vertical reach	18.1M
Horizontal reach	14.8M
Reach from front of truck	12.1M
Unfolding height	5.2M
Section articulation	92°/190°/265°
Rotation	370°
Delivery line	125 mm
Proportional boom	Yes
End hose length	3M
Outrigger spread-front	2.9 M
Outrigger spread-rear	2.6 M
Max. outrigger weight	9,000kg

- ⊙ Truck specifications : Mercedes Benz Atego 1630
- ⊙ Maximum theoretical values listed.
- ⊙ Photos and drawings are for illustrative purpose only
- ⊙ Right to make technical amendments reserved

▣ Working diagram

▣ Pump specifications

Maximum output	80 m³/h
Concrete cylinder	Ø230×1100
Stroke per minute	36
Concrete pressure	54 bar
Hopper capacity	0.6 m³
S-tube	Ø200×Ø180
Hydraulic pump	Rexroth – A11VLO190
Cycling system	Hydraulic with manual overrides
Max. aggregate size	40 mm

